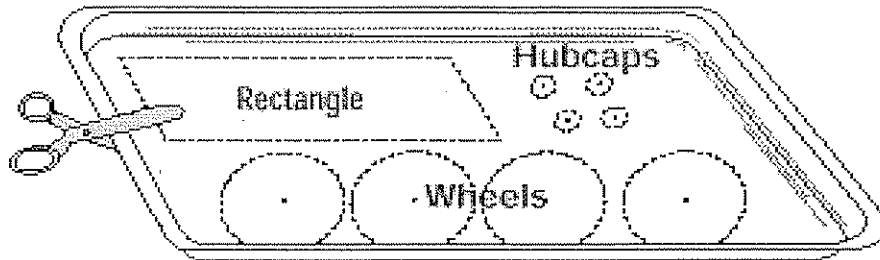


Materials

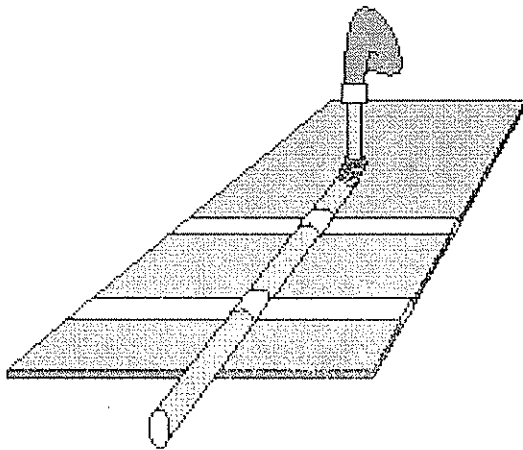
4 Pins- Styrofoam Meat-Tray Masking Tape- Flexible Straw- Scissors- Drawing Compass
Marker- Pen- Small Round Party Balloon- Ruler- String

How to Build a Rocket Car

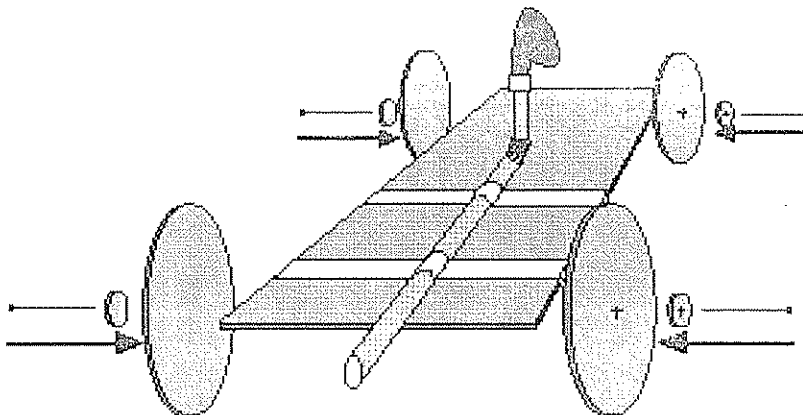
1. Lay out your pattern on a styrofoam tray. You need 1 rectangle, 4 wheels, and 4 hubcaps. Use a drawing compass to draw the wheels or use one of the samples provided



2. Blow up the balloon and let the air out. Tape the balloon to the short end of a flexible straw and then tape the straw to the rectangle.



3. Push pins through the hubcaps into the wheels and then into the edges of the rectangle.



4. Blow up the balloon through the straw. Place string around partially filled balloon. Continue inflating until the circumference of the balloon is the same size as the circle of string. Squeeze the end of the straw. Place the car on the floor and let it go!

